

SIQURA

XCUWM01

XCU 316L Wall/Pole mount with swivel, RAL9016

DESCRIPTION

Wall/pole mount for XCU Fusion and XCU Compact.

FEATURES

Complete bracket for wall and pole mount

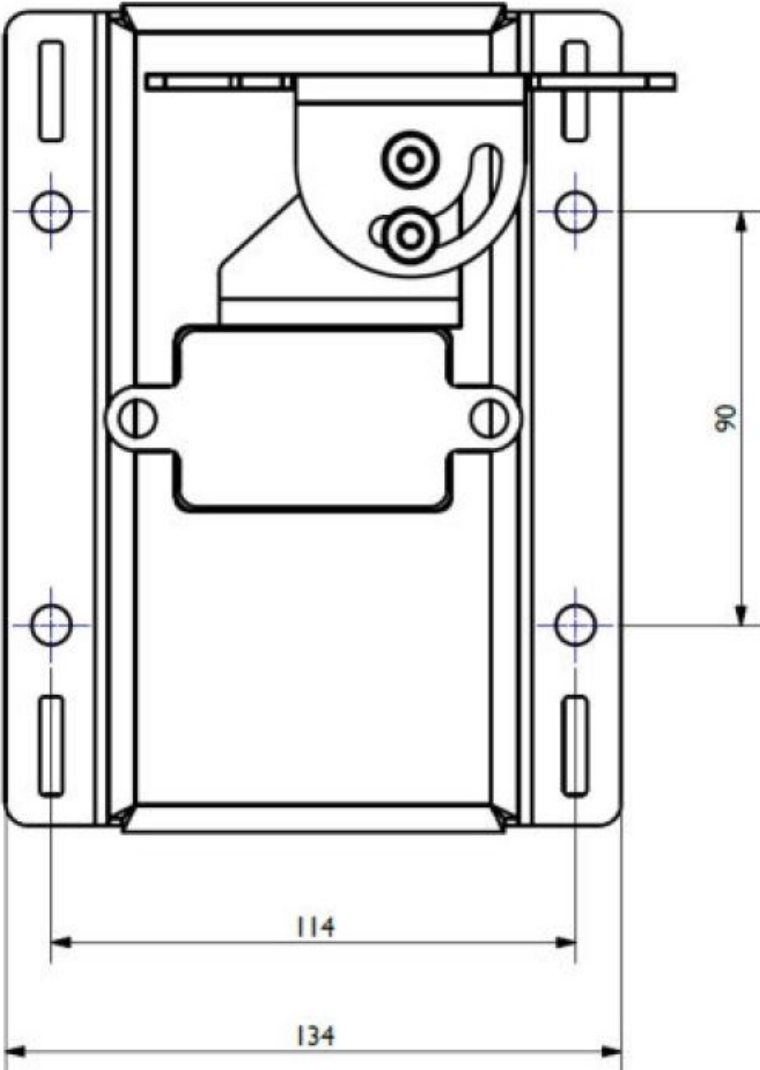
316L stainless steel

RAL9016

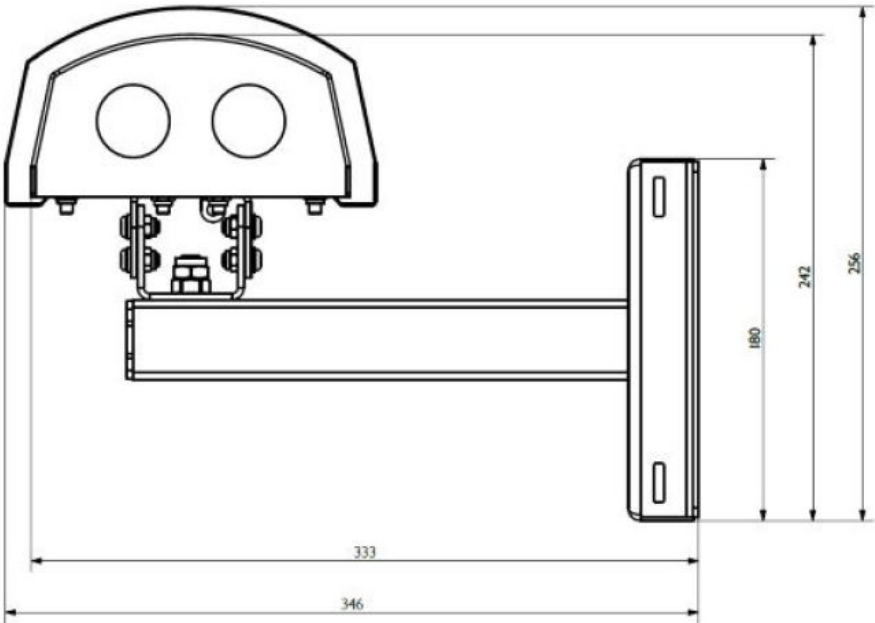
134 x 178 x 280



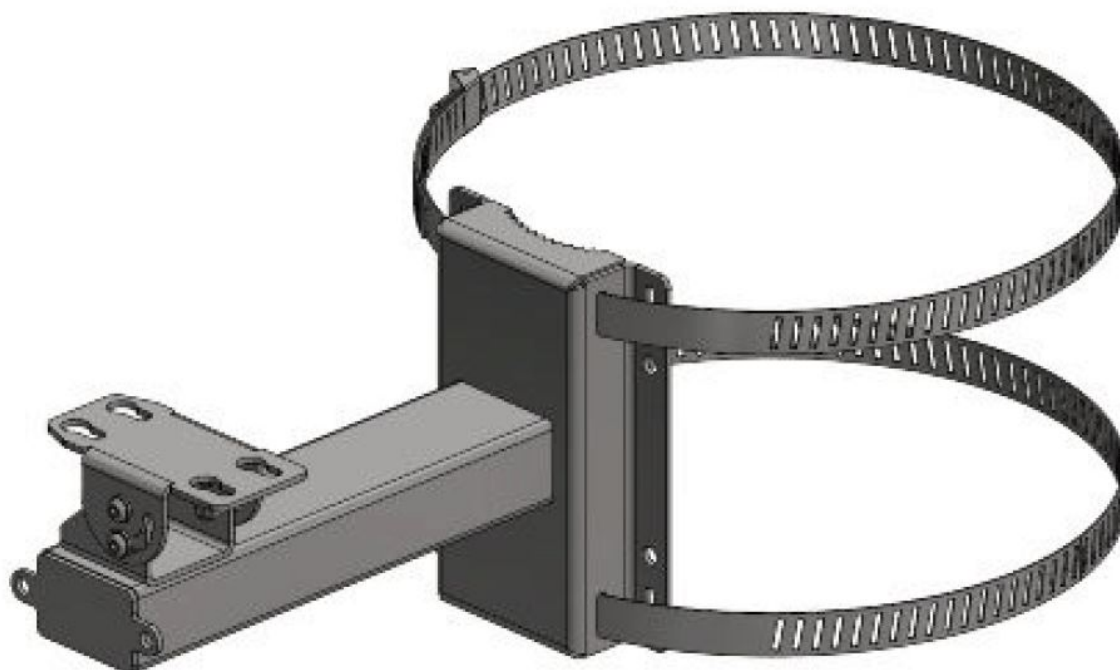
DIMENSIONS IN MM:



DIMENSIONS IN MM



XCUWM01 WITH POLE-MOUNT STRAPS (NOT INCLUDED).



RELATED

**Siqura XCU Fusion**

316L stainless-steel intelligent dual imager camera
