

SIQURA

WM20

Corner mount for BL/FD200xM1 series cameras

DESCRIPTION

Corner mount adapter for FD2002M1-EI, FD2005M1-EI, WM21, BL2002M1-EI, and BL2005M1-EI.

FEATURES

Stainless Steel

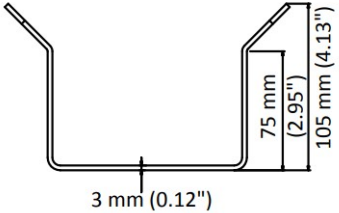
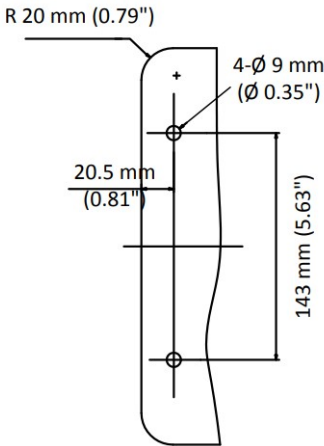
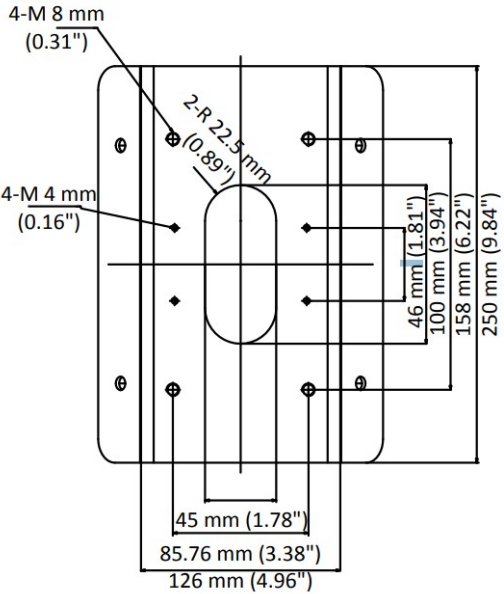
RAL 9003 (signal white)

250 x 126 105 mm

2280 g



DIMENSIONS IN MM



RELATED

**Siqura PM10**

Pole mount for BL/FD200xM1 series cameras
