

# SA-FIX T SERIES

## 316L all weather fixed IP camera

### DESCRIPTION

The SA-FIX T camera housing is a rugged corrosion proof camera housing designed for thermal imaging to be used in onshore, offshore, marine and heavy industrial environments. The camera housing is constructed from electro-polished 316L stainless steel for maximum corrosion protection and is fitted with an 316L sun-shield and a thermostatically controlled heater element. The housing is not sold separately, it is only available in combination with a Siqura thermal module TC-336 or TC-640 and an interface (INT-RJ/SM/MM).

### FEATURES

---

Corrosion protected 316L stainless-steel

---

Hard carbon coated germanium window diameter 50 mm

---

Suited for 7.5, 9, 13, 19, 25, 35, 50 mm thermal lenses

---

Integrated power supply (24, 115 or 230 Vac)

---

Low maintenance

---

Integrated heater

---

Electro-polished 316L sun-shield

---



## Description

### Thermal imaging

The SA-FIX T is fitted with a hard carbon coated germanium window, specially made to house Siqura's thermal modules TC-336 or TC-640 up to a 50 mm lens. Making thermal imaging or night vision possible in extreme environmental conditions.

### Corrosion free 316L construction.

The SA-FIX T housing is suited to be used in salty or sulfur rich environments. 100% of the camera housing is made of corrosion proof 316L steel. The germanium window is treated with a special hard carbon coating (DLC) to protect it against scratches and chemical substances.

### Mechanical

Ingress protection rating	IP66/ IP67
Body material	Electro-polished 316L stainless steel
Window	diameter 50 mm AR/DCL coated germanium window
Sunshield	Standard
Operating temperature	-40 °C to +75 °C (-40 °F to +167 °F)
Cable entry	2x M20
Weight	7 kg

### Electrical

Power rating	SA-FIX24T	SA-FIX115T	SA-FIX230T
	24 Vac +/-10%	115 Vac +/-10%	230 Vac +/-10%
	50/60Hz	50/60Hz	50/60Hz
Internal Heater	Standard		
- Heater control	On:12°C +/- 4°C; Off: 20°C +/- 3°C		
- Heater power dissipation	10W		

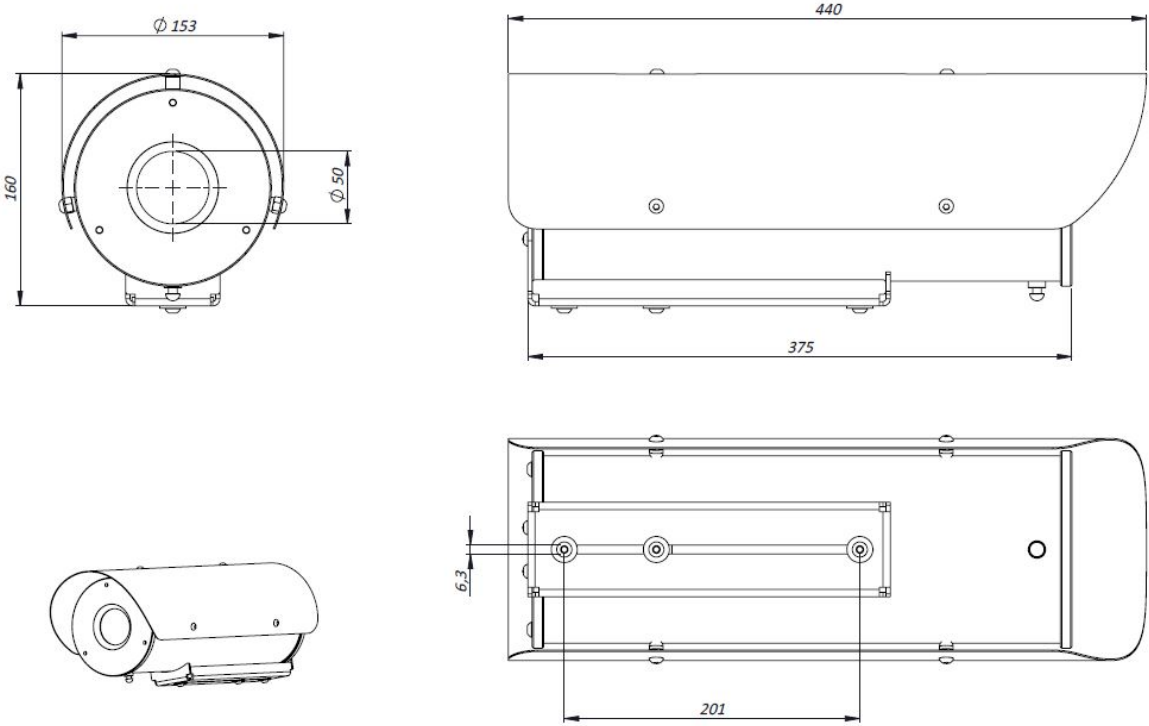
### Ordering information

SA-FIX24T	Safe Area Fixed Thermal Camera 316L 24VAC
SA-FIX115T	Safe Area Fixed Thermal Camera 316L 115VAC
SA-FIX230T	Safe Area Fixed Thermal Camera 316L 230VAC

### Maintenance kits

SA-MK F	Maintenance kit SA Fixed camera: O-Ring, screws, 2 cable glands, desiccant bags
---------	---

SA-FIX T DIMENSIONS IN MM



### COMPATIBILITY MATRIX

Housing	Optical camera	Thermal camera			Interface				
	BC822v2H3-SA	TC(R1)-336	TC(R1)-640	INT-RJ	INT-RJ5 INT-RJ10	INT-SM	INT-SM5 INT-SM10	INT-MM	INT-MM5 INT-MM10
SA-FIX24	✓			✓		✓		✓	
SA-FIX24W	✓			✓		✓		✓	
SA-FIX24T	✓	✓	✓	✓		✓		✓	
SA-PTZ24	✓			✓					
SA-PTZ24T		✓	✓	✓					
SA-PTZ24D	✓	✓	✓	✓					

*This charts also applies to the SA cameras versions for 115 Vac and 230 Vac.*

**RELATED**

---

**Siqura TC-336 and TC-640**

Assembly thermal modules 336x256 or 640x512

---

**Siqura INT-RJ / INT-SM / INT-MM**

Network Interface and cable tail of the Siqura SA or EX cameras

---

**Siqura SA mounting accessories**

316L Mounting accessories for the SA-FIX and SA-PTZ series

---