

PD920

3 MP high-speed PTZ camera with 40x zoom, SFP, IR

DESCRIPTION

The PD920 is a 3-megapixel IP outdoor PTZ camera. A powerful high-grade 40x optical zoom lens ensures sharp and clear images over a wide range. Built-in IR for zero lux operation. The high-speed pan, tilt, and zoom mechanism and auto-focus give instantaneous and stable focused images. Due to its unique servo feedback control the camera will always maintain its original (PT) position. When forced away from its original position the camera will return immediately. The PD920 Ethernet interface can be swapped from RJ45 supporting PoE or an empty SFP cage. The 100 Mb/s SFP offers a range of direct to fiber option, as well as connection direct to coax using the ECO-plug.

FEATURES

1/2.8 inch Progressive scan CMOS imager

Quad stream H.264, H.265 and MJPEG

3MP @ 30 fps HDR

40x optical zoom, 10x digital zoom

Swappable 100 Mb SFP slot or RJ45

20° tilt above horizon without optical distortion

IEEE 802.1x, TACACS+ user authentication

NEMA TS-2

120 dB WDR (HDR)

Supports EIS

Built-in IR illumination up to 200 m

PT servo feedback



ONVIF Profile S, G, and T

Description

Preliminary product information

The PD920 is a 3MP intelligent IP outdoor high-speed PTZ camera with built-in IR-illumination and 40x optical zoom. The absence of the dome-cover eliminates problems like optical distortion, IR scattering, or sun glare due to dirt or water on the bubble.

PT Servo feedback

The PD920 pan and tilt motors are controlled by servo feed back, keeping track of the PTZ position at all times. No more drifting presets due to shocks, vibration or vandalism. When the head is forced from its position, it will return immediately.

Versatile SFP connection

The camera's interface can be swapped between a RJ45, supporting PoE, or an empty 100Mb SFP slot. With the SFP slot the camera can be connected either direct to fiber or to coax by using Siquira's unique ECO-plug for Ethernet-over-coax. For each solution Siquira can provide for a cost effective SFP module.

Multi-stream high definition

The integrated camera has multi-stream capability for simultaneous streaming of H.265, H.264 or MJPEG. Up to 4 combinations of resolutions and frame rates can be configured to satisfy different live viewing and recording scenarios.

Open standards

Multiple options are available to easily integrate the PD920 to a video management system. In support of open standards, the PD920 is compliant with a range of VMS's, it supports ONVIF (Profiles S, G, and T) and the Siquira API.

Power source choices

The PD920 can be powered with 24 Vac, 30 Vdc or over the network with Ultra-PoE sources. (UPoE: max 60W)

Camera	
Image sensor	1/2.8" Progressive scan CMOS
Effective pixels	2065x1553
Min. illumination	0.04 lux Color, 0.002 lux B/W (F/1.6)
Shutter speed	1 to 1/10,000 sec
Day/Night	IR-cut filter
Lens	40x zoom
IR Illumination	850 nm
IR illumination distance	200m
Iris	P-iris and auto-iris
Focal length	4.3mm to 170 mm (F/1.6)
Horizontal field of view	64° (W) to 1.6° (T)
Lens material	High-grade optical glass
PTZ	
Pan range	360° Continuous rotation
Tilt range	-20° to +90°
Number of presets	256
Preset speed	300°/s
Manual speed	0.1°/s to 90°/s Pan; 0.1°/s to 55°/s Tilt
Preset accuracy	0.16°
Features	Speed by zoom
Sequence Scan	8
Cruise Scan	8
Autopan	4
Body material	Aluminum alloy, ABS
Internal demister/heater	Standard
Image control	
Dynamic range (WDR)	120 dB, dual exposure HDR
White balance	Auto, ATW, Manual, One push
Image settings	Contrast Brightness Saturation Hue Sharpness
SNR	Better than 54dB
Noise reduction	3DNR, 2DNR, Color Low, mid, high (w/ Motion Compensation)
Image Stabilization	Yes (Digital)
Digital zoom	10x
Text and picture overlay	Compass, date & time, 4x line (40 characters each), preset title, image, image transparency
Privacy masks	16
Image rotation	90°, 180°, 270° rotation
Video	
Video compression	H.265, H.264 (main or high profile); MJPEG
Number of compression instances	Any combination of H.265 or H.264 streams with possibly

Specs

Video				
	one MJPEG stream.			
Supported resolutions	2065x1553 (3MP); 1080p30,1280x1024; 720p30; 1024x768; 800x600; 720x576(D1); 640x480 (VGA); 352x288 (CIF)			
Max streaming (H264/H265/MJPEG)				
60fps	2048x1536	1280x720		
60fps	2048x1536	800x600	720x480	352x240
30fps	2048x1536	1920x1080	1280x1024	1280x1024
30fps (dual shutter WDR)	2048x1536	1920x1080	1280x1024	720x480
Compression bit rate control	Constant bit rate (CBR), variable bit rate (VBR), Low bit rate (LBR)			
Number of video output streams	Up to 20 (RTSP)			
Total output data rate (max)	60 Mb/s			
Video frame rate	1 to 60 fps, 1 to 50 fps			
Analog video output	PAL/NTSC (BNC)			
Audio				
Audio compression	G.711, G.726, AAC, LPCM			
Audio Input	Line in			
Audio Output	Line out			
Data				
Serial port	RS-485, 2-wire			
Protocols	Pelco D, Pelco P			
Connector type	Terminal block			
Analytics				
Loitering Detection	Enter and loiter in a user-defined region			
Intrusion Detection	Enter in a user-defined region			
Wrong Direction	Cross a user-defined unidirectional or bidirectional			
Event detections	Motion Detection, Audio detection, Abandoned Object, Object Removal, Camera Sabotage			
Event Triggers	External Input, Analytics, Network Failure Detection, Periodical Event, Manual Trigger			
Network				
Local storage	SDHC/SDXC up to 512 GB;			
Network storage	NAS (Support NFS, SMB/CIFS)			
Protocols	IPv4/IPv6 (ICMP), HTTP, HTTPS (TLS1.2), 802.1x, Qos, FTP, SMTP(SSL), UPnP, SNMP(v1/v2/v3/Traps), DNS, DDNS, NTP, RTSP, RTCP, RTP/UDP, TCP/IP, IGMP(v2/v3), DHCP, PPPoE, Pelco D (TCP/UDP), Diamond (TCP/UDP), NTCIP (TCP/UDP), TACACS+			
Security	User authentication, TACACS+, Syslog, Digest authentication (RTSP, HTTP), HTTPS encryption (TLS1.2); IEEE 802.1x port-based network access control, IP filtering			
Standard	ONVIF (Profile S, Profile G, Profile T), Siquira API			
Web browser	IE 9, 10 and 11; limited support for Edge, Chrome, Firefox			

Specs

Network

Network interface	10/100 Mb (RJ45) or empty SFP cage
-------------------	------------------------------------

Environmental

Ingress protection level	IP66
Impact rating casing	IK10
Overvoltage protection	Lightning Protection, Surge Protection and Voltage Transient Protection
Ambient temperature (NEMA TS-2)	-40 °C to +74 °C (-40 °F to +165 °F)
Relative humidity	5 to 100%
Power supply	30Vdc, 24 Vac, UPoE
Power consumption	Max. 39 W

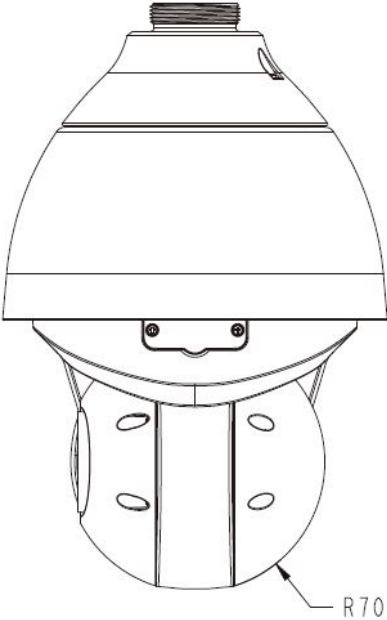
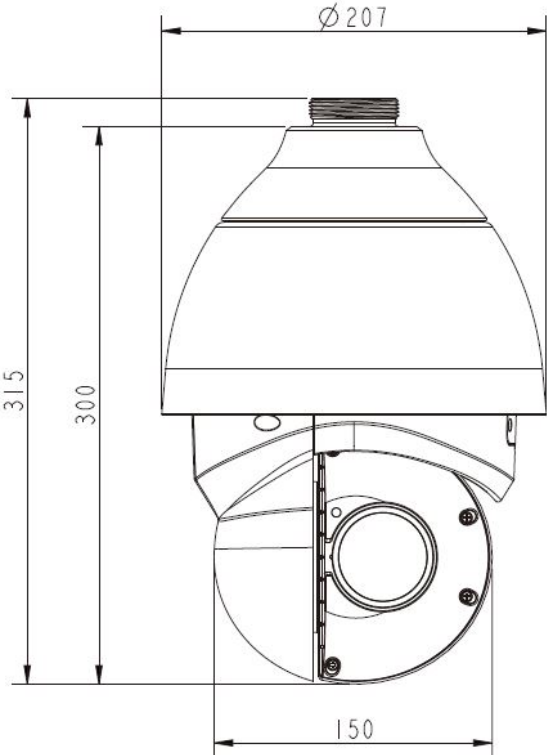
Mechanical

Interfaces	
- Ethernet	RJ45
- Alarm in / out	4x / 2x Terminal Block
- 24Vac/dc	Terminal Block
- Audio in / out	terminal Block
- Video out	BNC Connector
- RS485	Terminal Block
Dimensions	diameter 207.4 x 300.4 mm with Sunshield
Weight	3.8 kg
Color	RAL 9003 (signal white)

Ordering information

PD920	3 MP high-speed PTZ camera with 40x zoom, SFP, IR
-------	---

DIMENSIONS IN MM



RELATED



Siqua PTZ dome accessoires
PTZ dome mounting accessories



Siqua ECO-plug
Ethernet over Coax 100Mb SFP Module



Siqua SFP Module
SFP modules for Ethernet over fiber