

PD1022

2 MP compact PTZ dome camera, 25x zoom, IR

DESCRIPTION

The PD1022 is a compact PTZ dome suitable for indoor and outdoor usage. With its 25x optical zoom block, it can stream full HD (1920x1080) resolution images from up close and far away. The camera supports the latest technology such as H.265, and intelligent H.264+ for an even better compression of the video stream; to save bandwidth and storage requirements. The PD1022 offers many image enhancement techniques, such as BLC and HLC, Electronic Image Stabilization, Defog and 3D DNR.

FEATURES

1/2.8 Progressive scan CMOS

4.8 to 120 mm zoom lens

2 MP @ 60 fps (1920 x 1080)

120 dB WDR

Triple-stream H.265, H.264 and MJPEG video

Day/Night with IR-cut filter / WDR / BLC

Electronic Image Stabilisation

ONVIF Profile S



Camera	
Image sensor	1/2.8 Progressive scan CMOS
Effective pixels	1920 (H) x 1080 (V)
Zoom	25x optical zoom, 16x digital zoom
Minimum scene illumination	0.05 lux colour, 0.01 lux B/W (@ F1.6, AGC on)
Shutter speed	1 - 1/30,000 s
Lens	Auto Iris (DC)
Lens type	4.8 mm to 120 mm, F1.6
Horizontal field of view	64.5° (W) 2.9° (T)

Pan / Tilt	
Pan travel	360° Continuous
Tilt travel	-5° ~ 90°
Manual speed	Pan: 0.1° ~ 300°/s, tilt: 0.1° ~ 160°/s tilt
Presets	300 Presets
Cruise	4
Sequence	8
Autopan	Yes
Speed by zoom	On/Off
Resume after power loss	Yes
Park function	Preset / Pattern Scan / Patrol Scan / Auto Scan / Tilt Scan / Random Scan / Frame Scan / Panorama Scan
PTZ by scheduled	Preset / Pattern Scan / Patrol Scan / Auto Scan / Tilt Scan / Random Scan / Frame Scan / Panorama Scan
PTZ position OSD	On / off / temporarily

Functions	
Privacy masks	24
Text and picture overlay	Name, Date + time, Day of week, 4x text overlay (44 characters each)
Video motion detection	On / off / by schedule
Video motion detection alarm	Alarm output, record video clip, send alarm message, upload image
Tampering detection	On / off / by schedule
Tampering detection alarm	Alarm output, send alarm message
Exceptions	
HHD full / HHD error	On / off
HHD full / HHD error alarm	Alarm output, send alarm message
Network failure detection	On / off
Network failure detection alarm	Alarm output
IP conflict detection	On/Off
IP conflict detection alarm	Alarm output
Illegal login detection	On / off
Illegal login detection alarm	Alarm output, send alarm message

Image control

Specs

Image control	
Wide dynamic range	On / off
WDR value	>120 dB (in WDR dual shutter mode)
Backlight compensation	BLC, HLC
White balance	Auto / manual / outdoor / indoor / fluorescent lamp / sodium lamp / ATW
Exposure control	Auto, Manual Iris priority, Shutter priority (includes limits for exposure level, iris and gain)
Slow shutter	On/Off
Focus	Auto /manual / semi-auto
Brightness	Manual
Contrast	Manual
Saturation	Manual
Sharpness	Manual
Day/Night function	Auto / night / day / schedule
Noise reduction	On / off / expert Defog On / off
Electronic Image Stabilisation	On / off
Image rotation	Normal/ rotate 180
Video	
Compression algorithm(s)	H.265 (main profile) / H.264 (basic / main / high profile) / MJPEG
Low bit rate encoding	H.265, H.264i
Supported resolutions	
Main Stream (up to 50 / 60 fps)	1920 1080, 1280 960, 1280 720
Sub Stream (up to 25 / 30 fps)	704 576, 640 480, 352 288
	704 480, 640 480, 352 240
Third Stream (up to 25 / 30 fps)	1920 1080, 1280 960, 1280 720, 704 576, 640 480, 352 288
	1920 1080, 1280 960, 1280 720, 704 480, 640 480, 352 240
MJPEG	Available in sub stream or third stream
Compression bit rate control	Constant bit rate (CBR), variable bit rate (VBR)
Output bit rate (per H.264 stream)	Up to 16384 kbit/s
Number of video output streams	Up to 20 (RTSP)
Total output data rate (max)	50000 kbit/s
Audio	
Two-way audio	line in / line out
Compression	G.726 / G.711 (μ -law, a-law) / MP2L2/ PCM/ G.722.1
Input level	Adjustable gain
Connector type	Multifunction terminal block (IN, GND, OUT)
Alarm inputs/output	
Input	2x 0 - 5 V
Output	2x
Operational modes	Normally open; normally closed
Connector type	Multifunction terminal block Input: IN1, IN2, GND Output: OUT1, COM1, OUT2, COM2
Storage	

Specs

Storage

Storage options	Supports up to 128 GB capacity of micro SD/SDHC/SDXC memory
-----------------	---

Analytics

Behavior analytics	Line Crossing Detection, Loitering Detection, Object Abandoned, Object Removal Region Existing, Region Entrance, Audio Exception Detection
Face detection	supported

Network

Interface	10/100 Ethernet
Protocols	IPv4/IPv6, HTTP, HTTPS, 802.1x, Qos, FTP, SMTP, DNS, DDNS, NTP, RTSP, RTCP, RTP, TCP/IP, DHCP, PPPoE
Password levels	User and Administrator
Connector type	RJ45

Management

Supported browsers	IE7+, Chrome18+, Firefox5.0+, Safari5.02+
Security	HTTPS, IP filter, login lock, PNAC (IEEE802.1x)
Protocols	UPnP, SNMP, Bonjour, ONVIF
Password levels	Administrator / operator / user
User accounts	32

Powering

Power consumption	18 W
Power	12 Vdc, PoE+ (IEEE 802.3at, class 4)
Connector type	DC barrel connector

Environmental

Operating temperature	-30 °C to +65 °C (-22 °F to +149 °F)
Relative humidity	5% to 95%
Ingress protection	IP66
IR distance	50 m

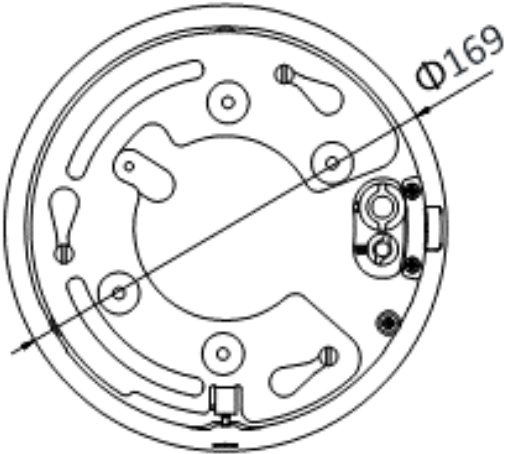
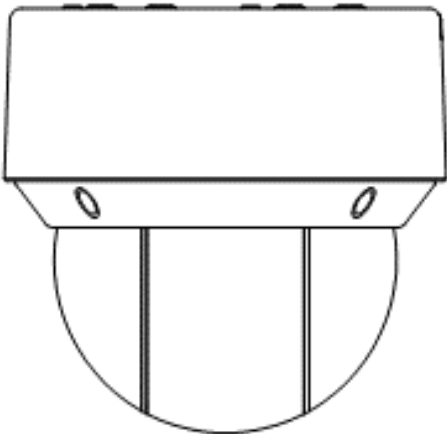
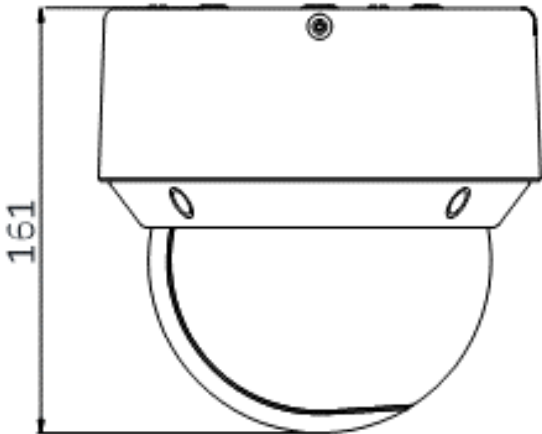
Mechanical

Dimensions	diameter169 x 161 mm (diameter6.65 x 6.34 in)
Weight	2.45 kg (5.4 lbs)
Housing	Aluminum
Colour	RAL 9003 (signal white)

Order information

PD1022	2 MP compact PTZ dome camera, 25x zoom, IR
--------	--

PD1022 Dimension



Unit: mm